

隔膜阀 Diaphragm valve

T4




≥ ⚡ ELE 28 DIR 29



永熙机电

- 阀位锁定式
旋转手轮
- 可视阀位指示
- 无死角阀门
- 适用于絮状和
磨损性介质
- 应用于高粘度
或富含颗粒的液体

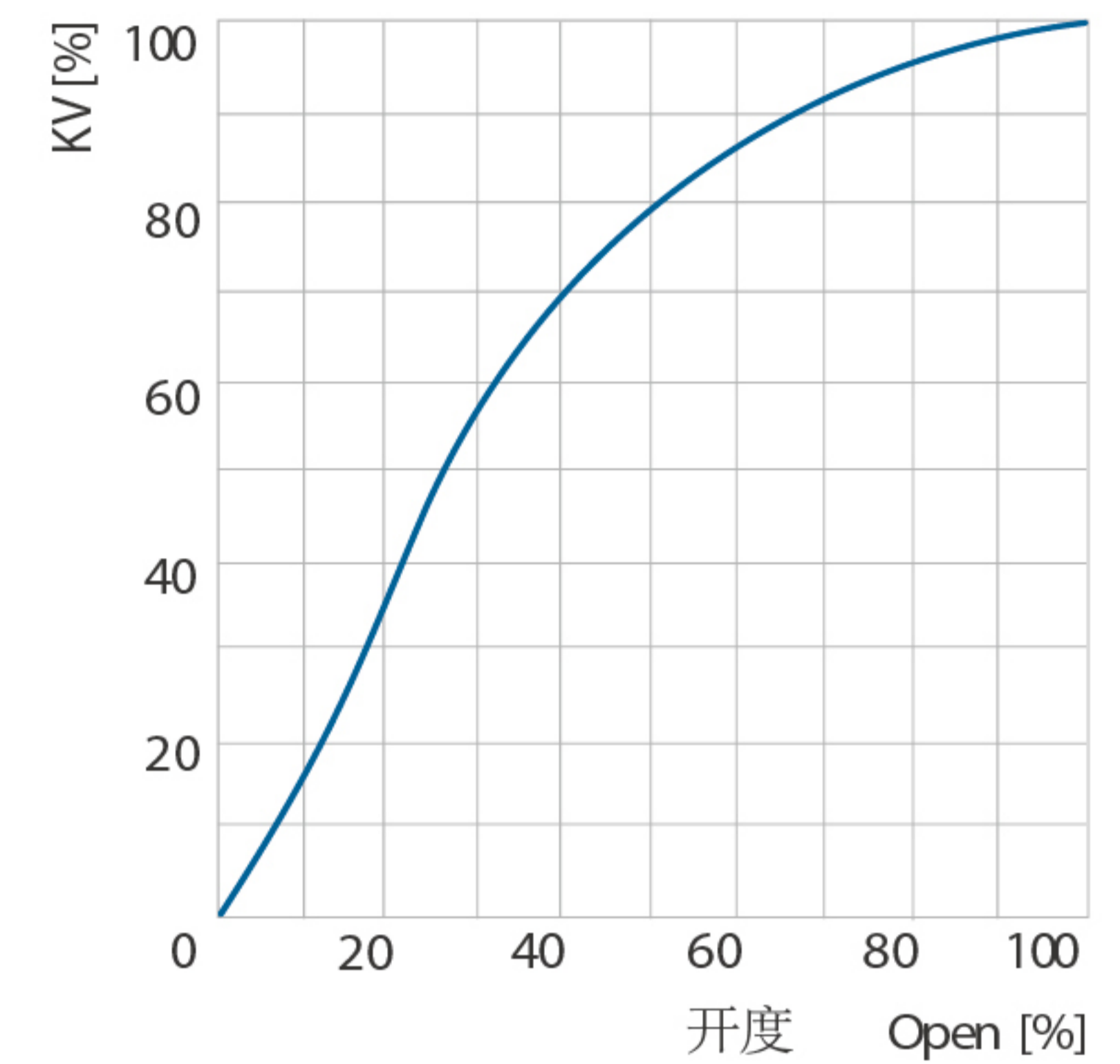
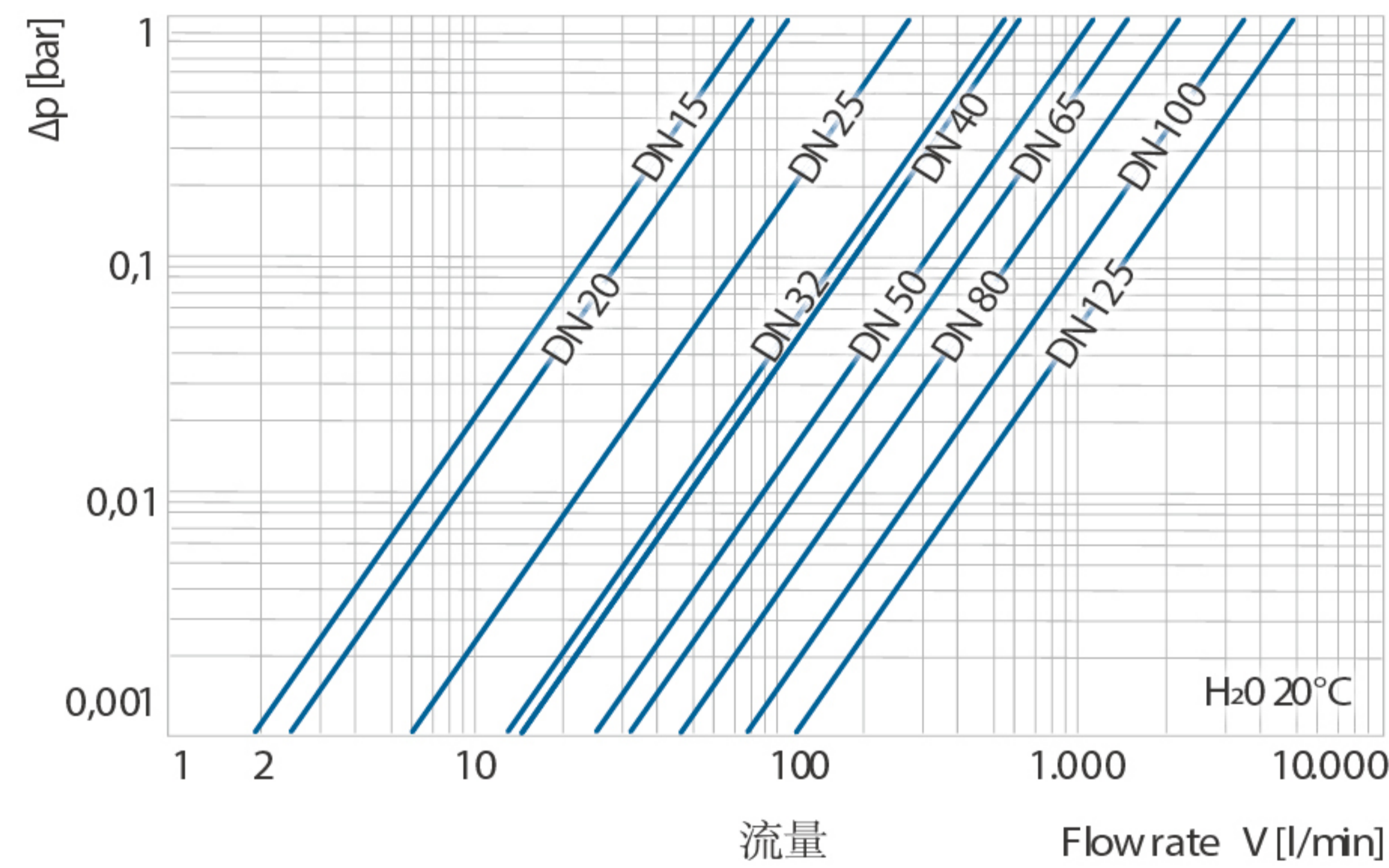
- Safety hand wheel
with locking
positions
- Visual position indication
- Zero dead leg valve
- Suitable for slurry and
abrasive media
- High viscosity or solid
content applications

材料 Models	膜片 Diaphragm	尺寸 Dimensions	PN	连接方式 Connections	
  	PVC-U	EPDM, FPM, PTFE-coated	DN15/d20/1/2"–DN125/d140/5"	10 承插粘结 外插粘结 螺纹连接 法兰连接 PE承插焊接 PE对焊连接	solvent cement socket solvent spigot threaded socket flange fusion socket fusion spigot PE
	PP	EPDM, FPM, PTFE-coated	DN15/d20/1/2"–DN125/d140/5"	10 承插焊接 对焊连接 螺纹连接 法兰连接	fusion socket fusion spigot threaded socket flange
	PVDF	EPDM, FPM, PTFE-coated	DN15/d20/1/2"–DN125/d140/5"	10 承插焊接 对焊连接 螺纹连接 法兰连接	fusion socket fusion spigot threaded socket flange

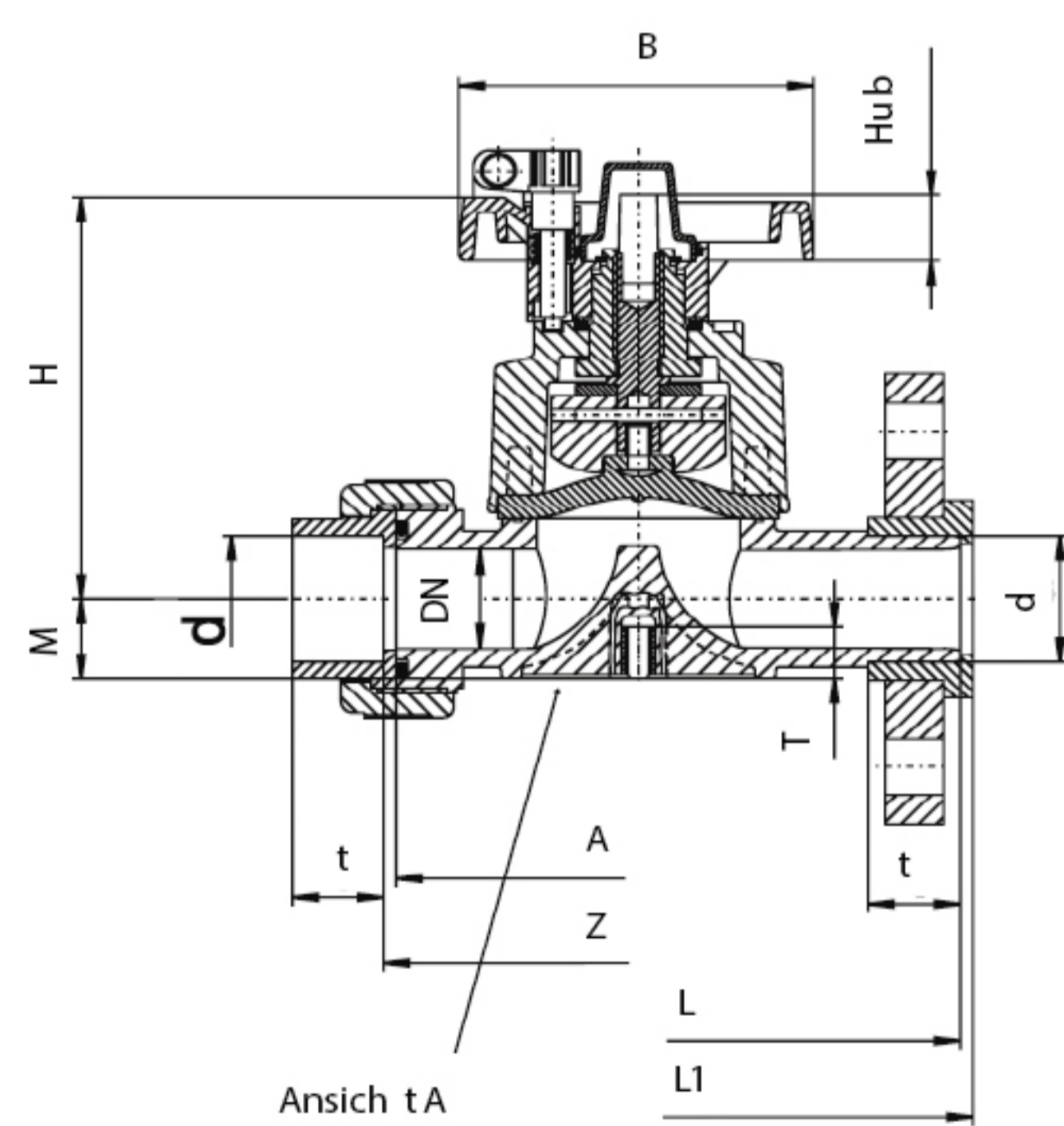
压力损失 Pressure Loss

流通特征 Flow Rate

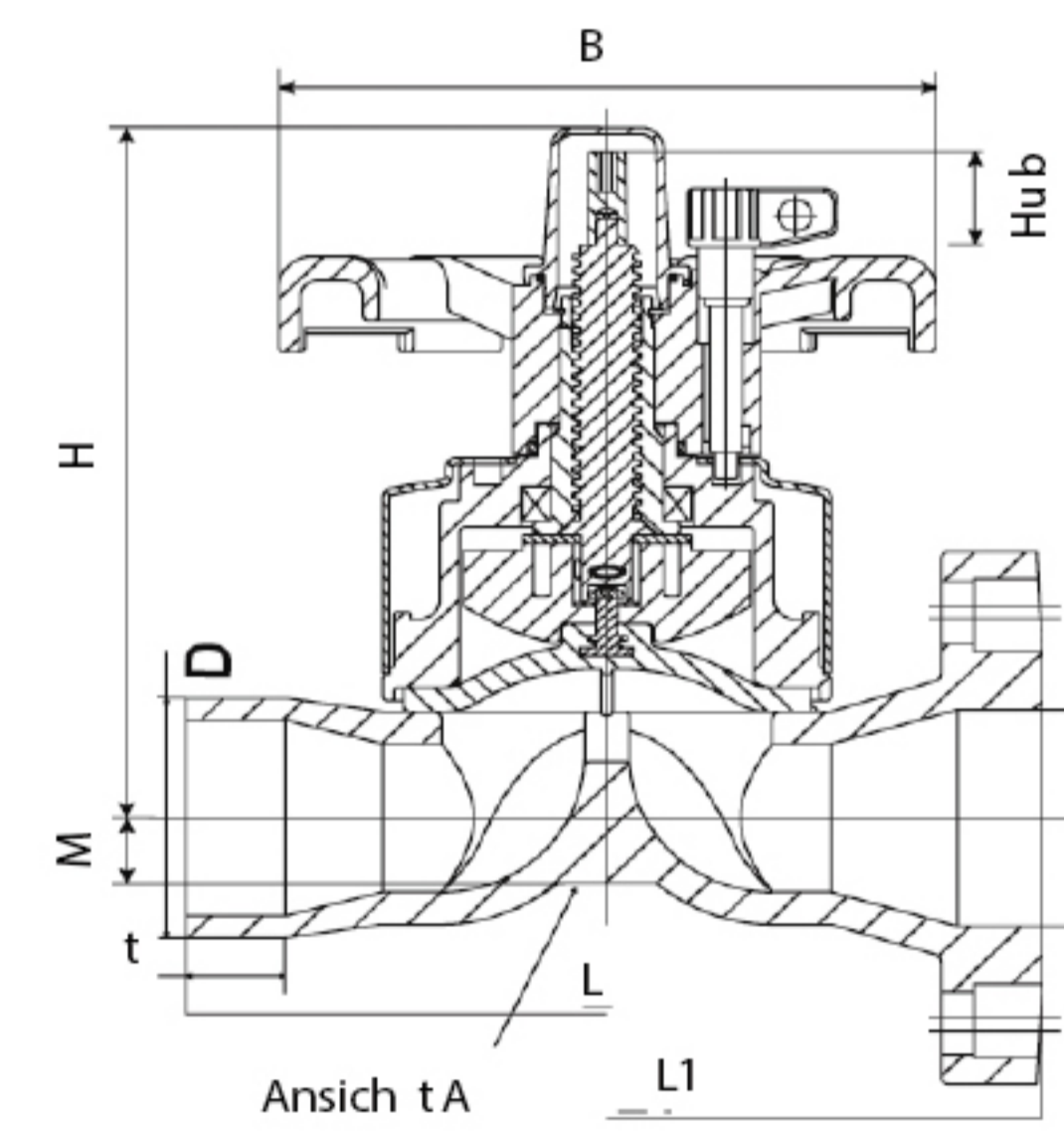
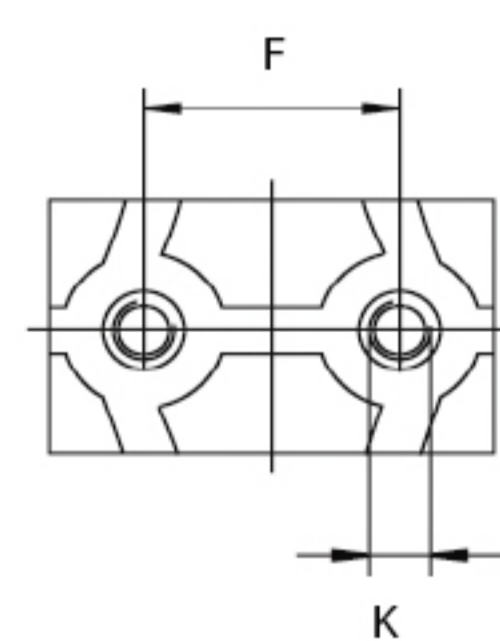
性能
Performance



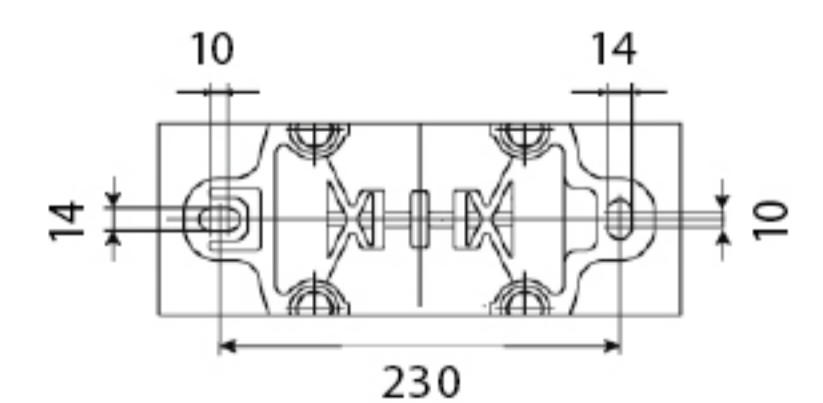
外型尺寸 Dimensions	d	DN	d	M	H	B	F	Hub	K	L	L1	T	A	Z	t*
	20	15	1/2"	17	100	86	25	9	M6	124	130	12	90	96	16–28,5
	25	20	3/4"	17	100	86	25	9	M6	144	150	12	108	114	19–36
	32	25	1"	21	107	86	25	11	M6	154	160	12	116	122	22–36
*根据材质 *depend on material	40	32	1 1/4"	33	144	136	45	22	M8	174	180	15	136	142	26–38,5
	50	40	1 1/2"	33	144	136	45	22	M8	194	200	15	154	160	31–46
	63	50	2"	40,3	170	136	45	28	M8	224	230	15	184	190	38–46
	75	65	2 1/2"	25	260	234	–	35	–	284	300	–	–	–	44–37
	90	80	3"	25	260	234	–	35	–	300	310	–	–	–	54,5–37
	110	100	4"	25	330	234	–	45	–	340	350	–	–	–	50
	140	125	5"	25	330	234	–	45	–	–	400	–	–	–	–



DN 15–DN 50



DN 65–DN 125



PP安装垫块
PP Mounting plates

- 防止阀门活接碰触安装面
- DN15/d20/1/2"–DN50/d63/2"

- For leveling of union nut to mounting surface
- DN 15/d20/1/2"–DN 50/d63/2"



永熙机电